

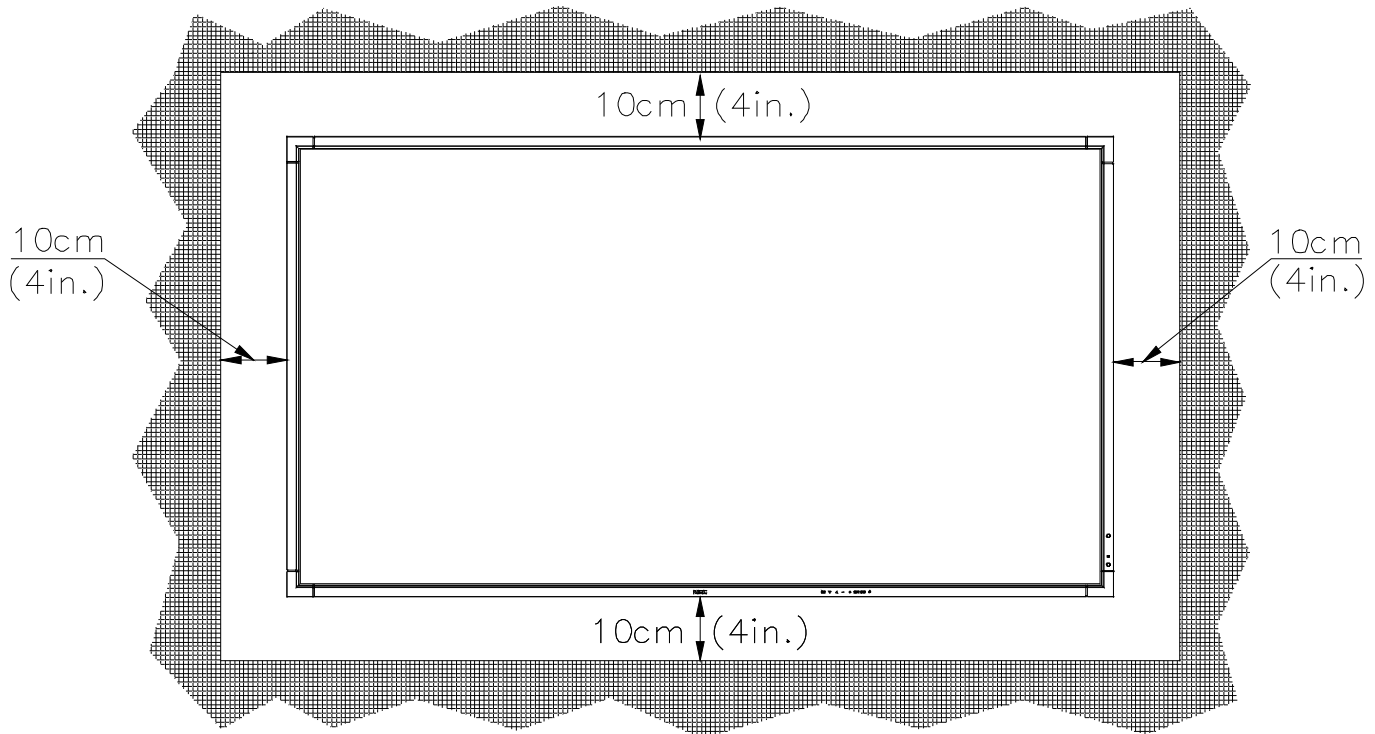
X462S Installation Guide

46" LCD Display

Rev 1.0

Ventilation Recommendations:

Dimensions below are minimum recommended for proper ventilation when the unit is in a recessed area.



NOTE:

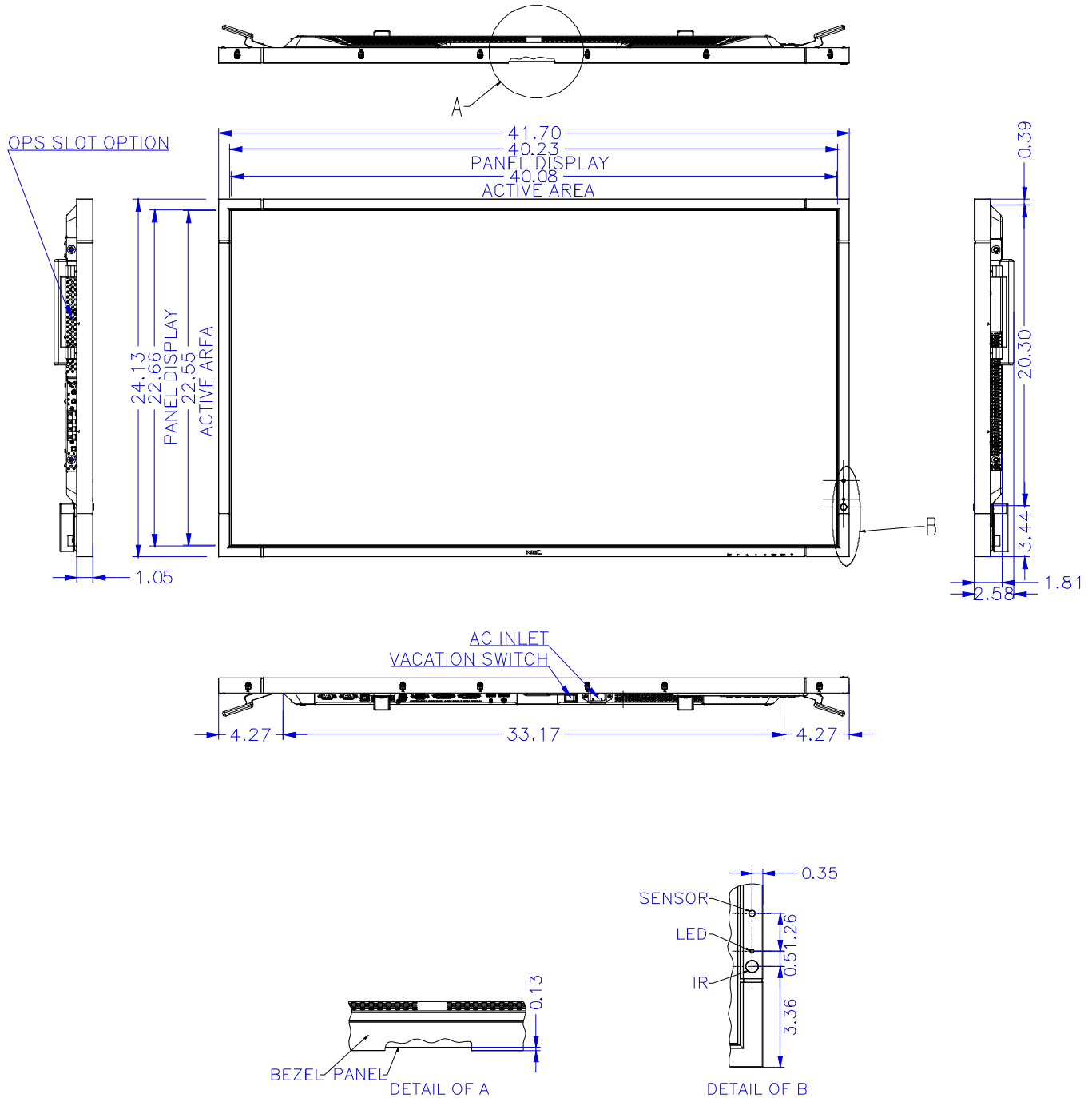
The ventilation space should not be covered or closed off at the front of the opening. If for some reason the opening needs to be covered, other means of ventilation will need to be incorporated into the design. Contact NEC for design review and recommendations.

X462S Installation Guide

46" LCD Display

Rev 1.0

Display dimensions:



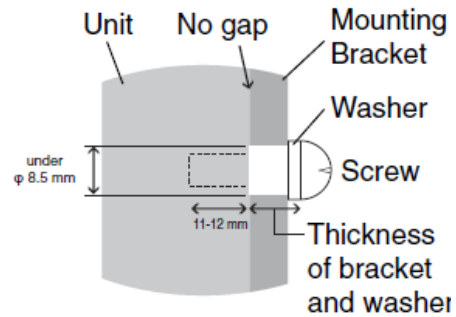
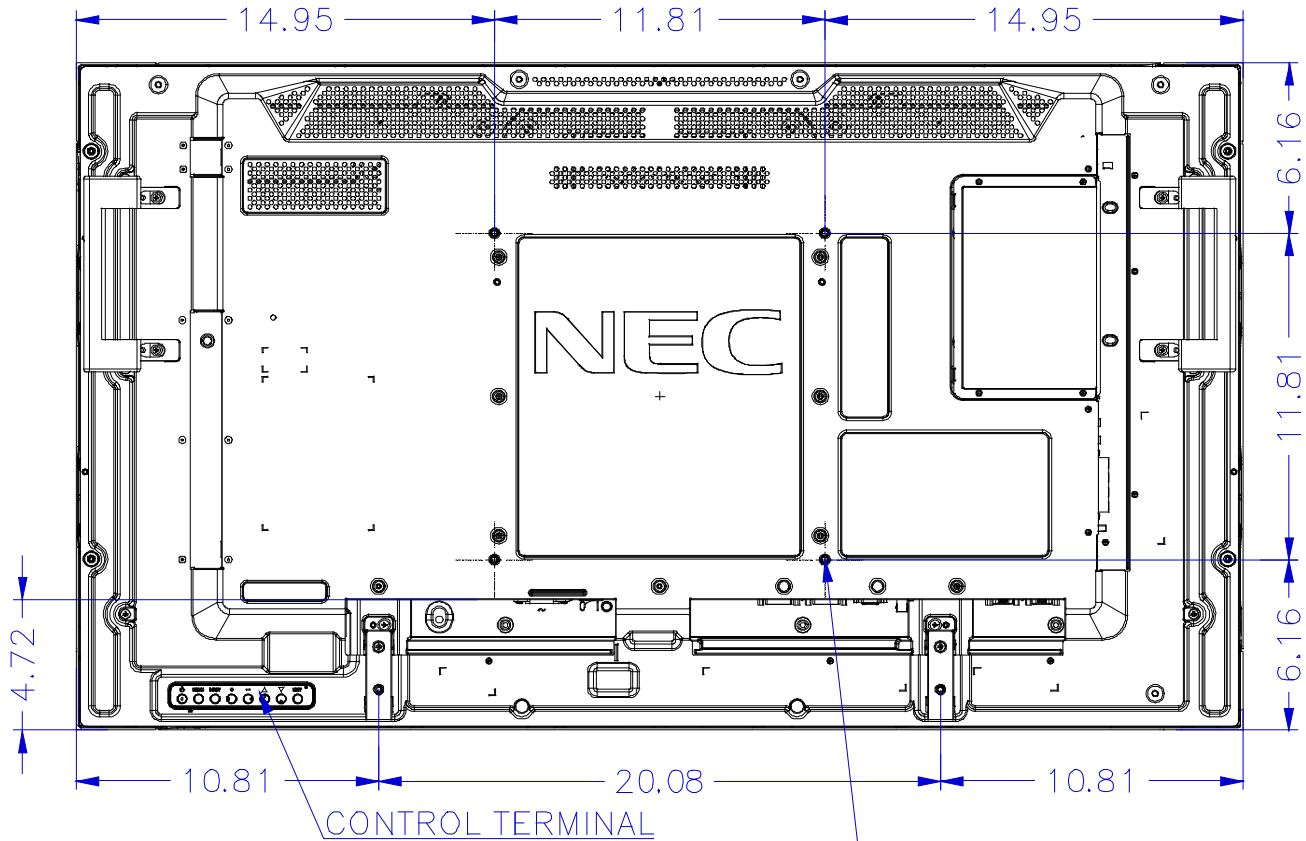
Note: When handle is set to 'carrying' mode (out), overall depth is 2.47". When in 'thin' mode (in), overall depth is 1.70"

X462S Installation Guide

46" LCD Display

Rev 1.0

Display dimensions (cont.):



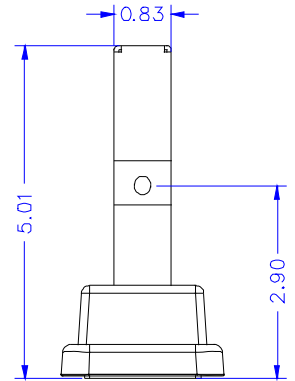
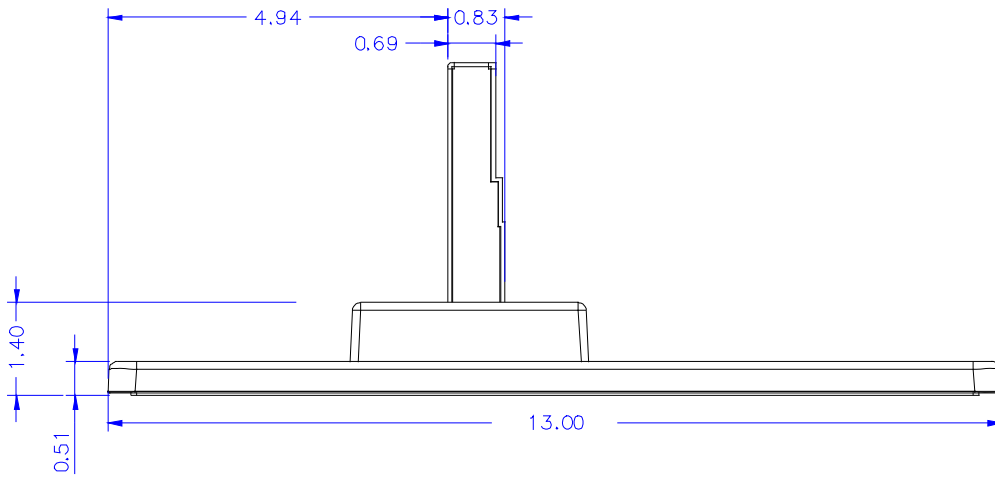
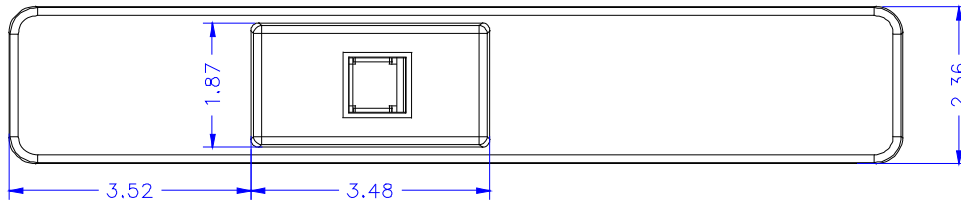
Screw length should equal depth of hole (11-12 mm) + the thickness of mounting bracket and washer. Bracket hole should be under ϕ 8.5 mm.

X462S Installation Guide

46" LCD Display

Rev 1.0

Optional Table Top Stand Dimensions (ST-4020):

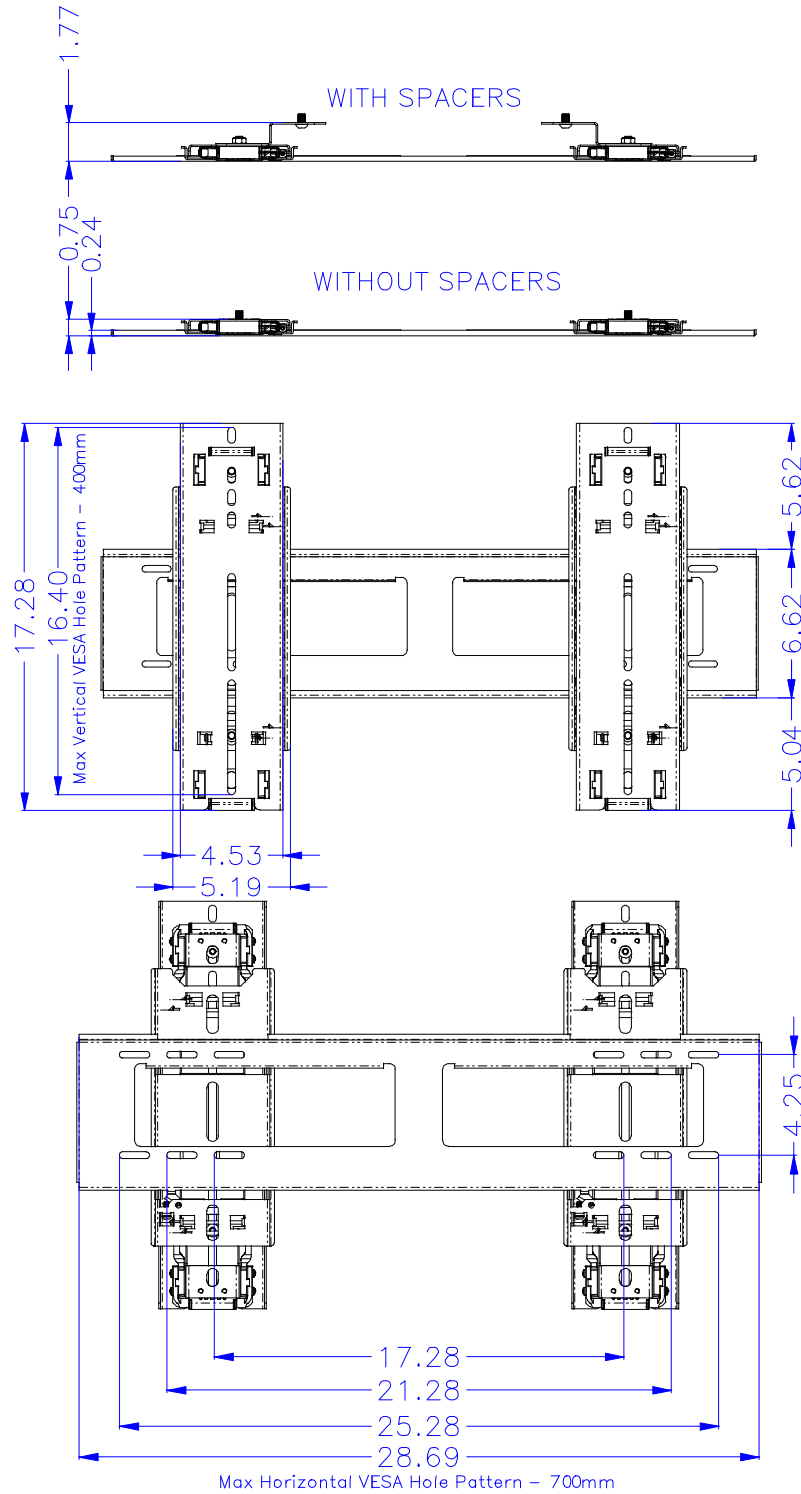


X462S Installation Guide

46" LCD Display

Rev 1.0

Dimensions with Optional Wall Mount Kit (WMK-4655S):



NOTE: Mount shown without offset spacers

X462S Installation Guide

46" LCD Display

Rev 1.0

Input Panels:

Bottom:



Side:



Handle Positioning:



Note: Handle can be adjusted per screws that are included with the monitor. Instructions are included in the manual.

X462S Installation Guide

46" LCD Display

Rev 1.0

Control Codes:

Function (Monitor ID = 1)	Code Data
Power ON	01 30 41 30 41 30 43 02 43 32 30 33 44 36 30 30 30 31 03 73 0d
Power OFF	01 30 41 30 41 30 43 02 43 32 30 33 44 36 30 30 30 34 03 76 0d
Input Source Select DisplayPort	01 30 41 30 45 30 41 02 30 30 36 30 30 30 30 46 03 04 0d
Input Source Select DVI	01 30 41 30 45 30 41 02 30 30 36 30 30 30 30 33 03 71 0d
Input Source Select VGA	01 30 41 30 45 30 41 02 30 30 36 30 30 30 30 31 03 73 0d
Input Source Select HDMI	01 30 41 30 45 30 41 02 30 30 36 30 30 30 31 31 03 72 0d
Input Source Select DVD/HD	01 30 41 30 45 30 41 02 30 30 36 30 30 30 30 43 03 01 0d
Input Source Select VIDEO	01 30 41 30 45 30 41 02 30 30 36 30 30 30 30 35 03 77 0d
Input Source Select S-VIDEO	01 30 41 30 45 30 41 02 30 30 36 30 30 30 30 37 03 75 0d
Input Source Select OPTION	01 30 41 30 45 30 41 02 30 30 36 30 30 30 30 44 03 06 0d
Sound Mute ON	01 30 41 30 45 30 41 02 30 30 38 44 30 30 30 31 03 09 0d
Sound Mute OFF	01 30 41 30 45 30 41 02 30 30 38 44 30 30 30 32 03 0a 0d

NOTE: Contact your NEC rep for codes not listed.

NOTE: Use a cross/reverse/null modem cable.

Cable Connection:

Communication Protocol:

Interface: RS-232C

Parity: None

Communication: Asynchronous

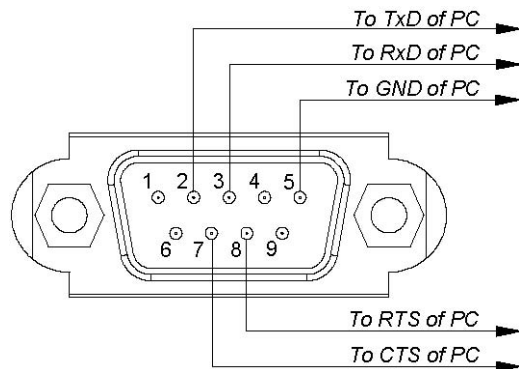
Stop Bit: 1 bit

Baud Rate: 9600 bps

Communication Code: Hex

Data Length: 8 bits

PC Control Connector (D-Sub 9P)



NOTE: If so desired, jumper "Request to send" and "Clear to Send" together on both ends of the cable to simplify cable connection. These connections are not required. The only connections required are pins 2 (TxD), 3 (RxD) and 5 (GND).